

USER INSTRUCTIONS - MODULIFT 110

Modulift[®]
working between the hook and the load

The Modulift Spreader is modular in length. Every spreader consists of 1 pair of End Units & Drop Links, with intermediate struts that can be assembled to achieve different spans. The Modulift 110 has an assembled span ranging from 2 metres to 16 metres in 0.5 metre increments.

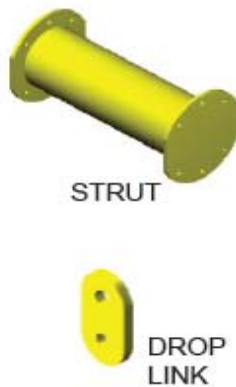
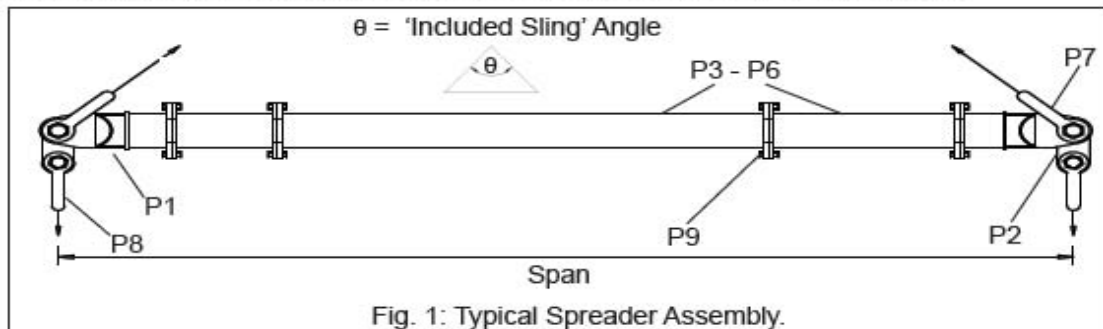
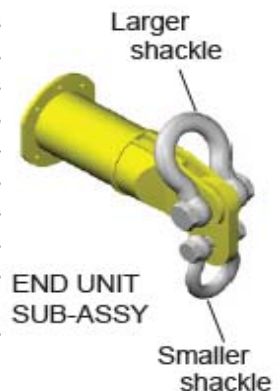


TABLE 1: COMPONENT LIST		
PART REF:	DESCRIPTION	WEIGHT / ITEM
P1	END UNIT	178kg
P2	DROP LINK	45kg
P3	4.0m STRUT	367kg
P4	2.0m STRUT	212kg
P5	1.0m STRUT	134kg
P6	0.5m STRUT	100kg
P7	85t SHACKLE	62kg
P8	55t SHACKLE	38kg
P9	M20x65 GRADE 8.8 HT BOLTS, NUTS & WASHERS	



Modulift 110 - Beam Specification.

- Rated at 110 tonnes WLL at 6 metres span. See Load Table for WLL at longer spans.
- 'Included Sling' angle θ , 90 degrees or less.
- End Units & Drop Links are rated at 55 tonnes (110 tonnes combined capacity).
- **Bolt tightening torque: 150Nm.** Spanner size required: 30mm.

LIFTING & RIGGING EQUIPMENT FOR ALL LIFTING APPLICATIONS

- ✓ Hoisting Equipment
- ✓ Spreader Beams
- ✓ Winching Equipment
- ✓ Jacking Systems
- ✓ Lifting Equipment
- ✓ Weighing & Testing
- ✓ Lifting Slings
- ✓ Height Safety Gear

CALL US (08)9358 4099 VISIT RIGGINGRENTALS.COM.AU

Rigging Rentals WA

www.riggingrentals.com.au

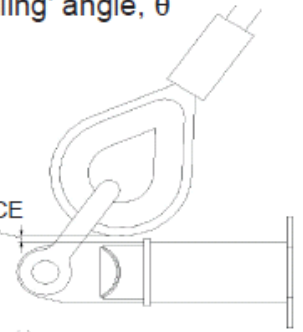
269B Treasure Road
Welshpool, 6106, WA
P: +61 8 9358 4099
perth@riggingrentals.com.au

90° ISA			Recommended Configuration. EU - End Unit (1m)						60° ISA			
Span / m	WLL / t	Min Sling Length/m	EU	EU	EU	EU	EU	EU	Span / m	WLL / t	Min Sling Length/m	
2	110	1.5	EU	EU					2	110	2.0	
2.5	110	2.0	EU	0.5	EU				2.5	110	2.5	
3	110	2.5	EU	1	EU				3	110	3.0	
3.5	110	2.75	EU	1	0.5	EU			3.5	110	3.5	
4	110	3.0	EU	2	EU				4	110	4.0	
4.5	110	3.25	EU	2	0.5	EU			4.5	110	4.5	
5	110	3.5	EU	2	1	EU			5	110	5.0	
5.5	110	4.0	EU	0.5	2	1	EU		5.5	110	5.5	
6	110	4.5	EU	4	EU				6	110	6.0	
6.5	109	4.75	EU	4	0.5	EU			6.5	110	6.5	
7	106	5.0	EU	4	1	EU			7	110	7.0	
7.5	102	5.5	EU	0.5	4	1	EU		7.5	110	7.5	
8	98	6.0	EU	4	2	EU			8	110	8.0	
8.5	93	6.25	EU	0.5	4	2	EU		8.5	110	8.5	
9	88	6.5	EU	4	2	1	EU		9	110	9.0	
9.5	83	6.75	EU	0.5	4	2	1	EU	9.5	110	9.5	
10	78	7.0	EU	4	4	EU			10	110	10.0	
10.5	72	7.5	EU	0.5	4	4	EU		10.5	110	10.5	
11	66	8.0	EU	4	4	1	EU		11	110	11.0	
11.5	62	8.25	EU	0.5	4	4	1	EU	11.5	107	11.5	
12	58	8.5	EU	4	4	2	EU		12	100	12.0	
12.5	53	9.0	EU	0.5	4	4	2	EU	12.5	92	12.5	
13	48	9.5	EU	1	4	4	2	EU	13	84	13.0	
13.5	45	9.75	EU	0.5	1	4	4	2	EU	13.5	80	13.5
14	43	10.0	EU	4	4	4	EU		14	75	14.0	
14.5	39	10.25	EU	0.5	4	4	4	EU	14.5	69	14.5	
15	35	10.5	EU	4	4	4	1	EU	15	62	15.0	
15.5	33	11.0	EU	0.5	4	4	4	1	EU	15.5	58	15.5
16	31	11.5	EU	4	4	4	2	EU	16	53	16.0	

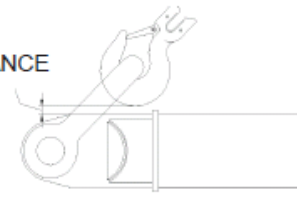
ISA= 'Included Sling' angle, θ



CLEARANCE



CLEARANCE



The operator must ensure that there is a clearance between the sling end fitting and the end unit as shown.

- Max number of struts allowed in spreader assembly: 5
- Assemble longer struts in the centre of the spreader configuration
- Sling angle is crucial to safe use of spreader

Recommended top sling types: Textile slings, wire rope slings with soft eyes and chain slings with small end fittings.
If thimble eyes are used with wire rope slings, make sure sling angle is 60 degrees or less. Other types exist but not all are suitable due to end fitting size, particularly larger capacity chain hook and thimble eyes.
Note: Raising the slings can give greater clearance. Refer to Modulift supplier if in doubt.

LIFTING & RIGGING EQUIPMENT FOR ALL LIFTING APPLICATIONS

- ✓ Hoisting Equipment
- ✓ Spreader Beams
- ✓ Winching Equipment
- ✓ Jacking Systems
- ✓ Lifting Equipment
- ✓ Weighing & Testing
- ✓ Lifting Slings
- ✓ Height Safety Gear

CALL US (08)9358 4099 VISIT RIGGINGRENTALS.COM.AU