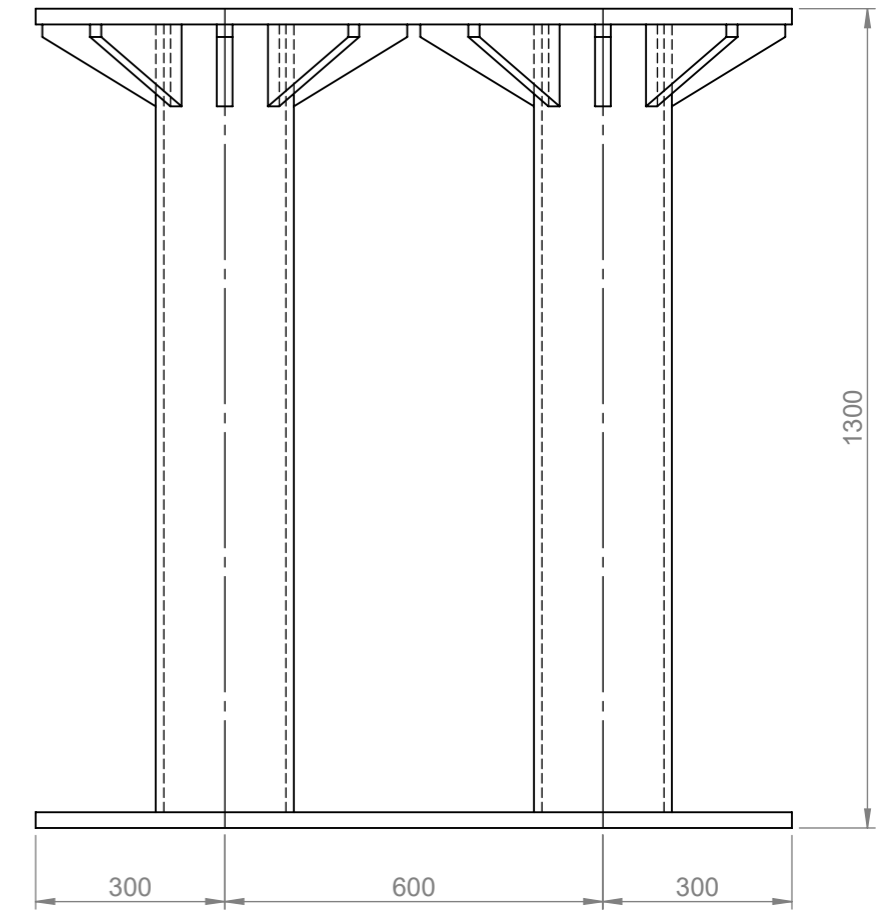
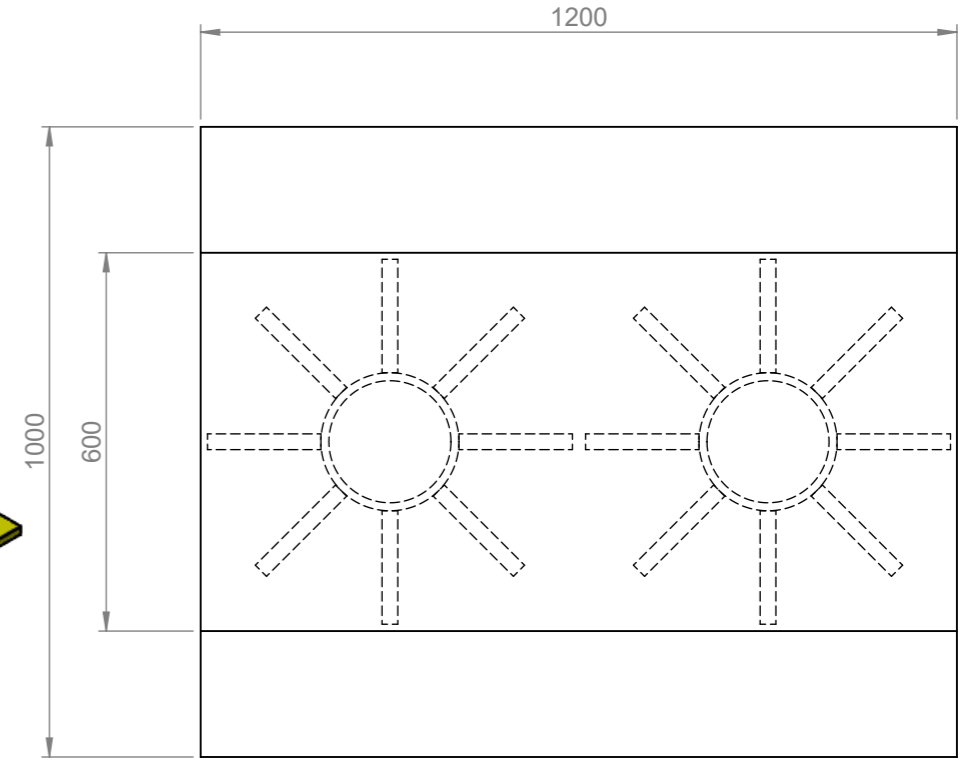
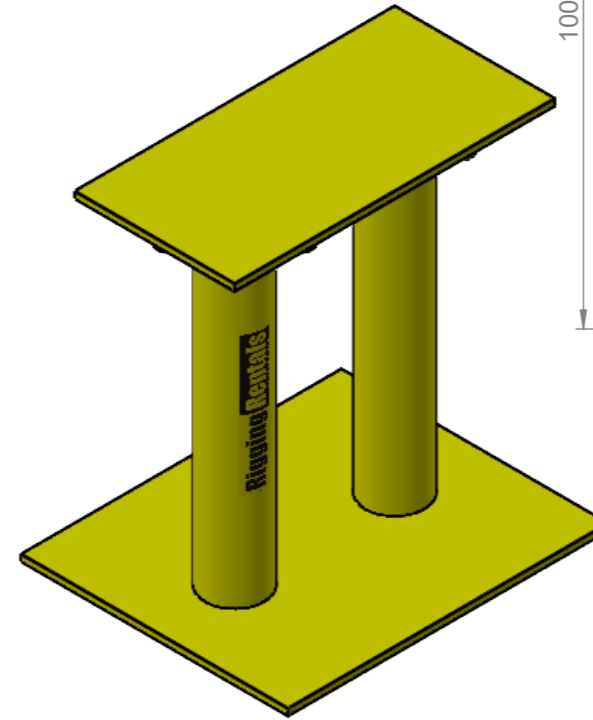


TYPE-A STAND

TARE: 485kg



TYPE-B STAND

TARE: 580kg



269B TREASURE RD, WELSHPOOL
 EMAIL: perth@riggingrentals.com.au
 PH: 9358 4099

PROPRIETARY AND CONFIDENTIAL

THE INFORMATION CONTAINED IN THIS DRAWING IS THE SOLE PROPERTY OF RIGGING RENTALS. ANY REPRODUCTION IN PART OR AS A WHOLE WITHOUT THE WRITTEN PERMISSION OF RIGGING RENTALS IS PROHIBITED.

DO NOT SCALE DRAWING

No	DESCRIPTION	CHK	DATE
0	DESIGN VERIFIED	SH	16.02.23
B	CONFIRMED PIPE SIZE	SH	15.02.23
A	ISSUED FOR APPROVAL	SH	23.01.23
DRAWING REVISIONS			

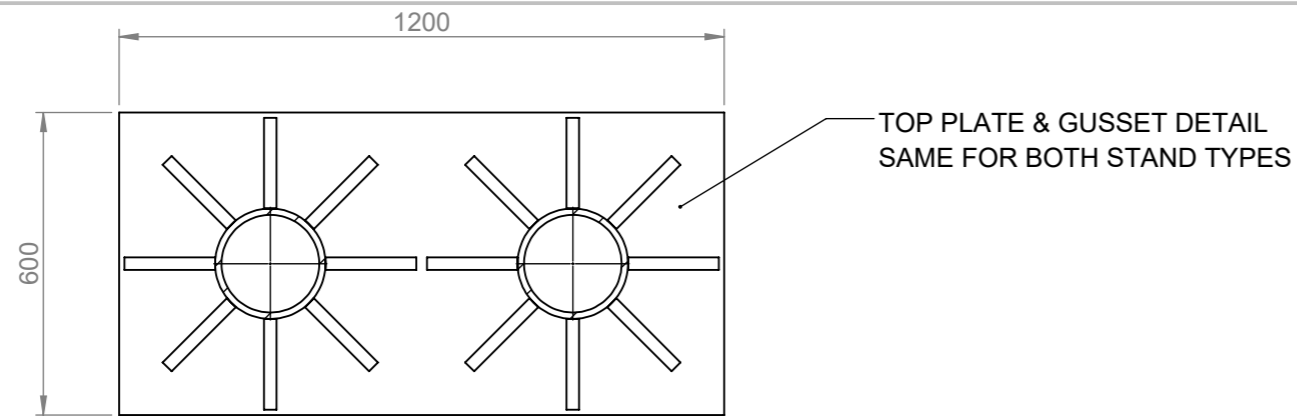
DRAWN	SH	DATE	23.01.23
CHECKED	GP	DATE	16.02.23
APPROVED	GP	DATE	16.02.23

TITLE 50T CAP. SUPPORT STANDS

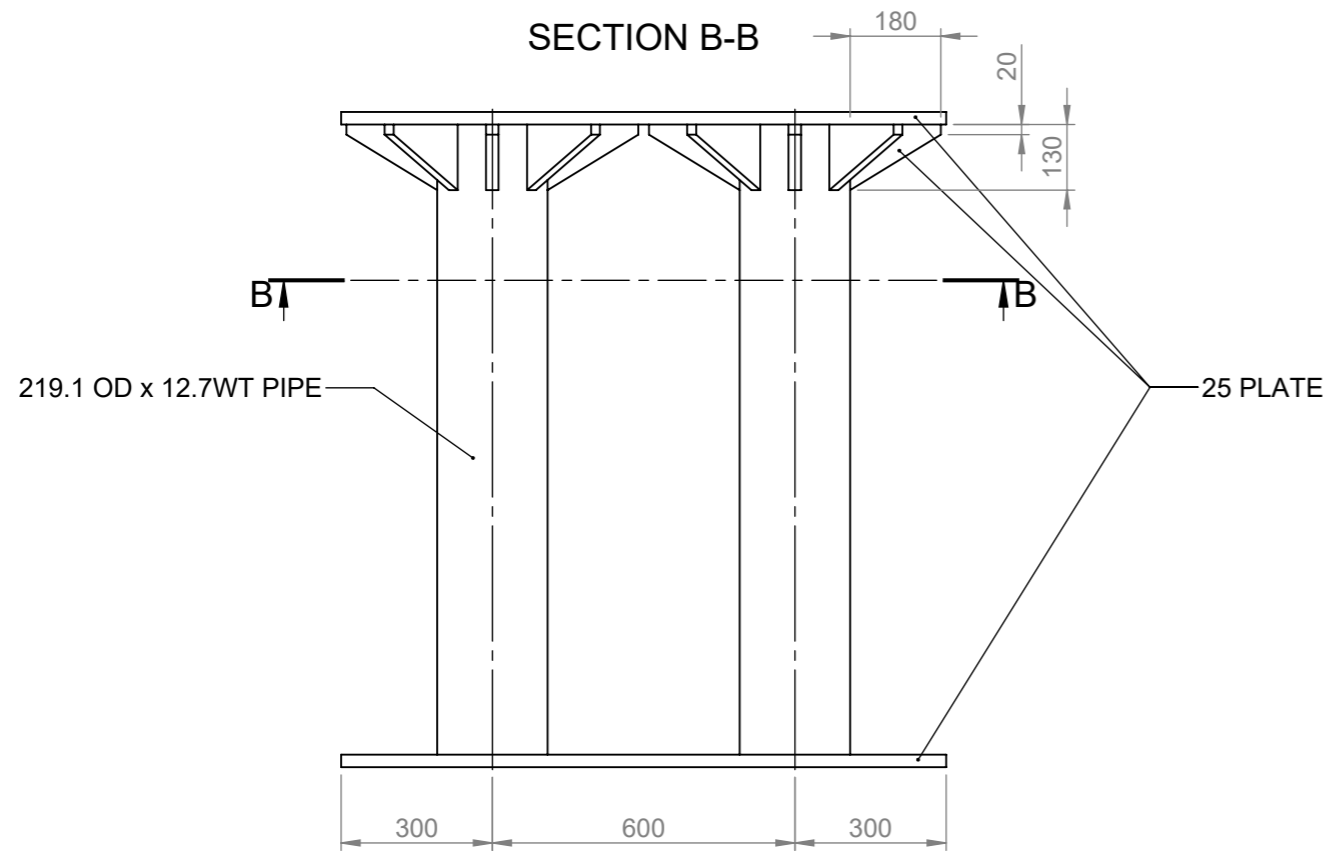
CLIENT RIGGING RENTALS

SIZE A3 **SCALE** 1:12 **DWG No** LBDD0627

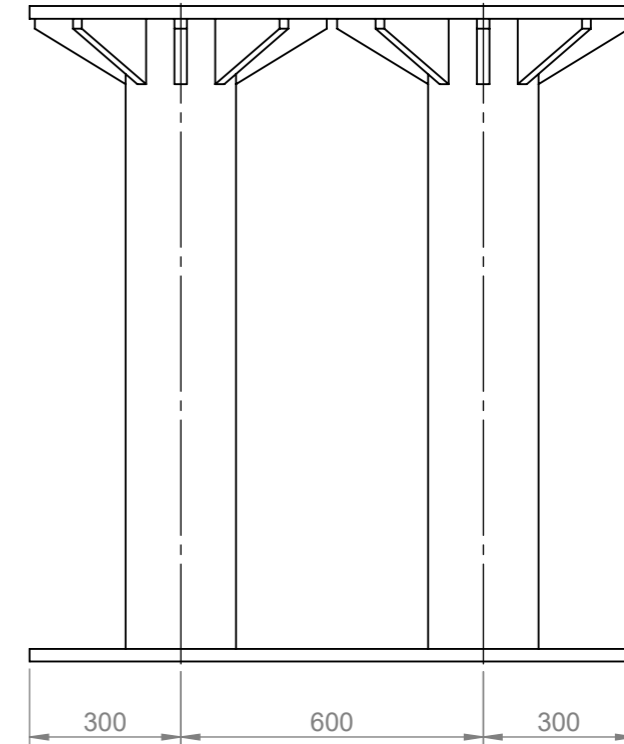
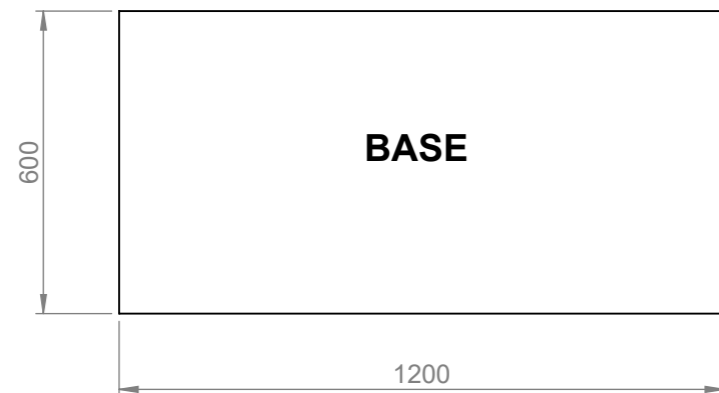
SHEET 1 / 2 **REV.** 0



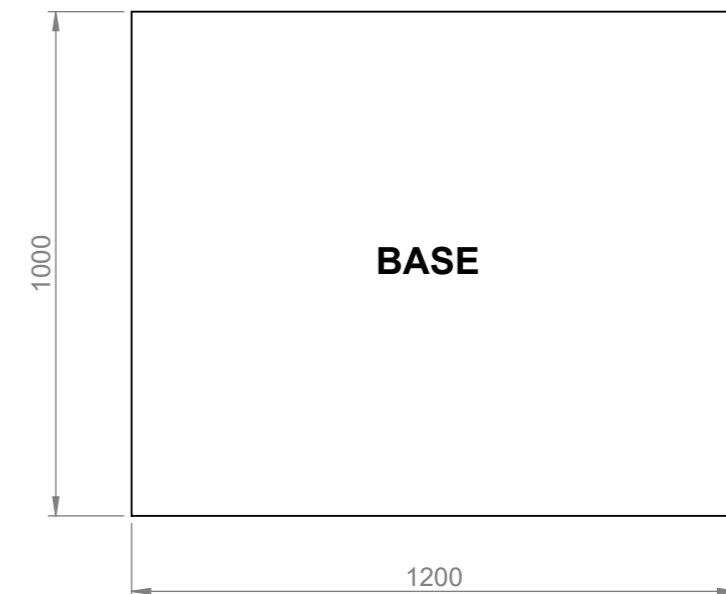
SECTION B-B



TYPE-A STAND



TYPE-B STAND



Rigging Rentals

269B TREASURE RD, WELSHPOOL
EMAIL: perth@riggingrentals.com.au
PH: 9358 4099

PROPRIETARY AND CONFIDENTIAL

THE INFORMATION CONTAINED IN THIS DRAWING IS THE SOLE PROPERTY OF RIGGING RENTALS. ANY REPRODUCTION IN PART OR AS A WHOLE WITHOUT THE WRITTEN PERMISSION OF RIGGING RENTALS IS PROHIBITED.

DO NOT SCALE DRAWING

No	DESCRIPTION	CHK	DATE
0	DESIGN VERIFIED	SH	16.02.23
B	CONFIRMED PIPE SIZE	SH	15.02.23
A	ISSUED FOR APPROVAL	SH	23.01.23
DRAWING REVISIONS			

DRAWN	SH	DATE	23.01.23
CHECKED	GP	DATE	16.02.23
APPROVED	GP	DATE	16.02.23

TITLE 50T CAP. SUPPORT STANDS

CLIENT RIGGING RENTALS

SIZE A3 **SCALE** 1:15 **DWG No** LBDD0627

SHEET 2 / 2 **REV.** 0