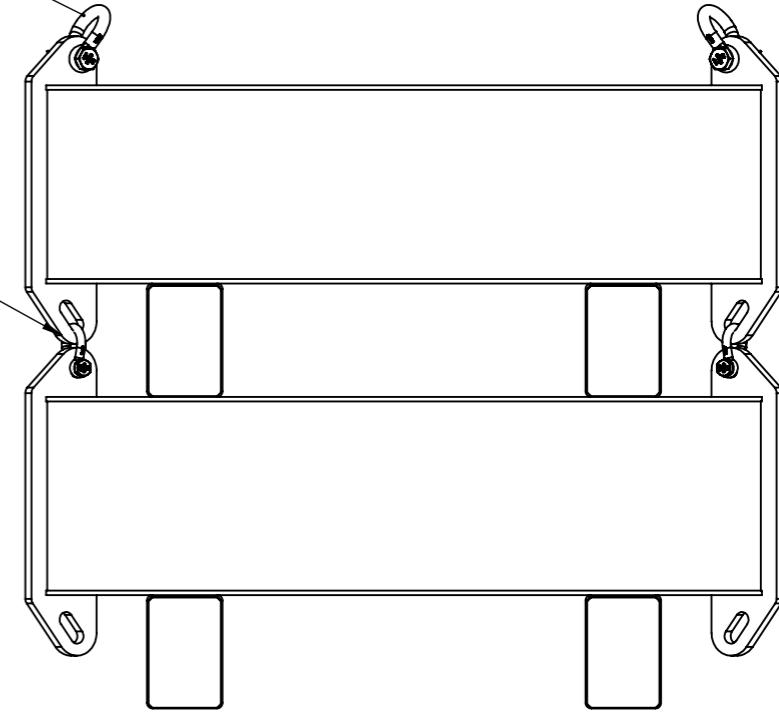
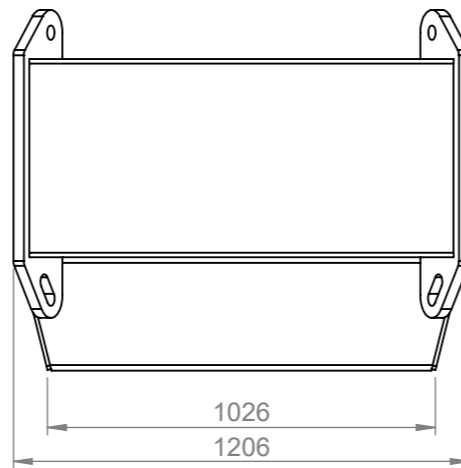
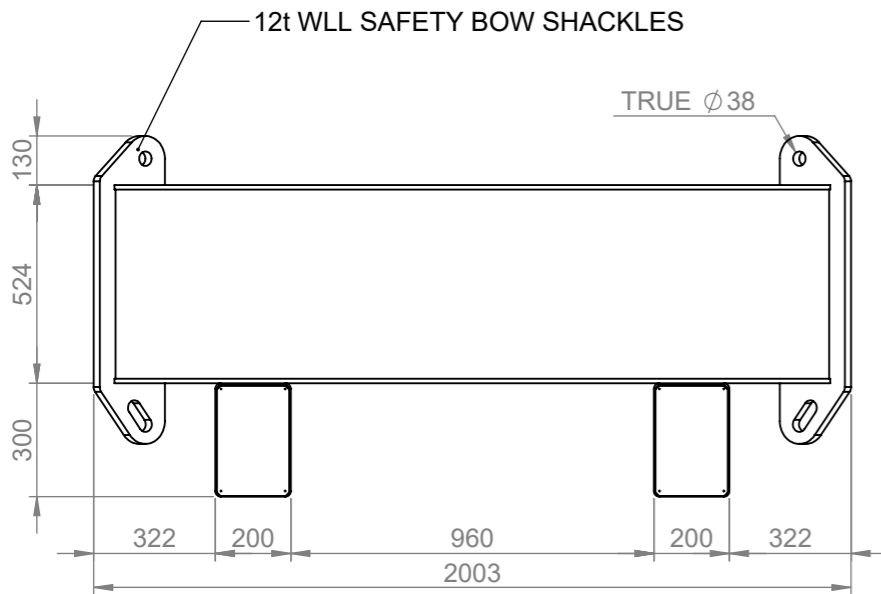


TOP LIFT POINTS
12t WLL SAFETY BOW SHACKLES
4 LOC.

STACKING LINK POINTS
.5t WLL SAFETY BOW SHACKLES
4 LOC.



MAXIMUM STACK 4 X WEIGHTS = 20t



Rigging Rentals

269B TREASURE RD, WELSHPOOL
EMAIL: perth@riggingrentals.com.au
PH: 9358 4099

PROPRIETARY AND CONFIDENTIAL
THE INFORMATION CONTAINED IN THIS DRAWING IS THE SOLE PROPERTY OF RIGGING RENTALS. ANY REPRODUCTION IN PART OR AS A WHOLE WITHOUT THE WRITTEN PERMISSION OF RIGGING RENTALS IS PROHIBITED.

DO NOT SCALE DRAWING

No	DESCRIPTION	CHK	DATE
0	ISSUED FOR FABRICATION	SH	14.01.22
A	ISSUED FOR APPROVAL	SH	12.01.22
DRAWING REVISIONS			

DRAWN	SH	DATE	12.01.22
CHECKED	CM	DATE	12.01.22
APPROVED	AEC	DATE	21.09.20

TITLE 5T STEEL BLOCK WEIGHT

CLIENT RIGGING RENTALS

SIZE A3 **SCALE** 1:20 **DWG No** LBDD0601

SHEET 5 / 5 **REV.** 0