

269B TREASURE RD, WELSHPOOL
 EMAIL: perth@riggingrentals.com.au
 PH: 9358 4099

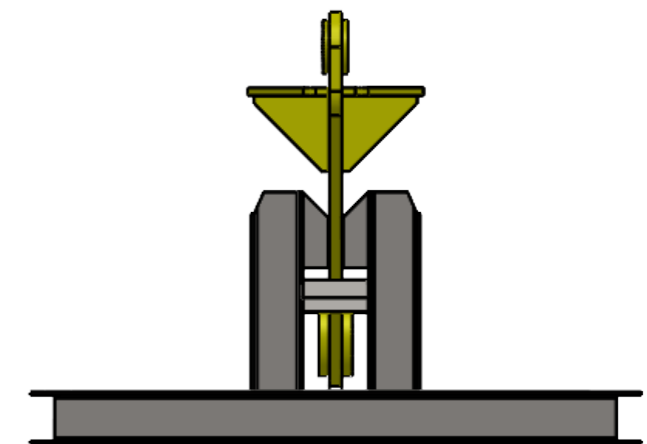
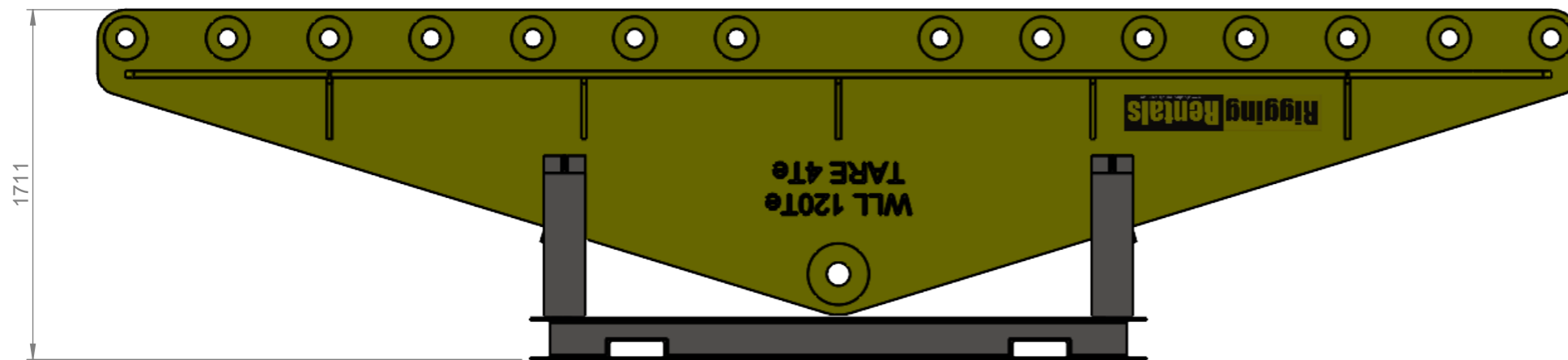
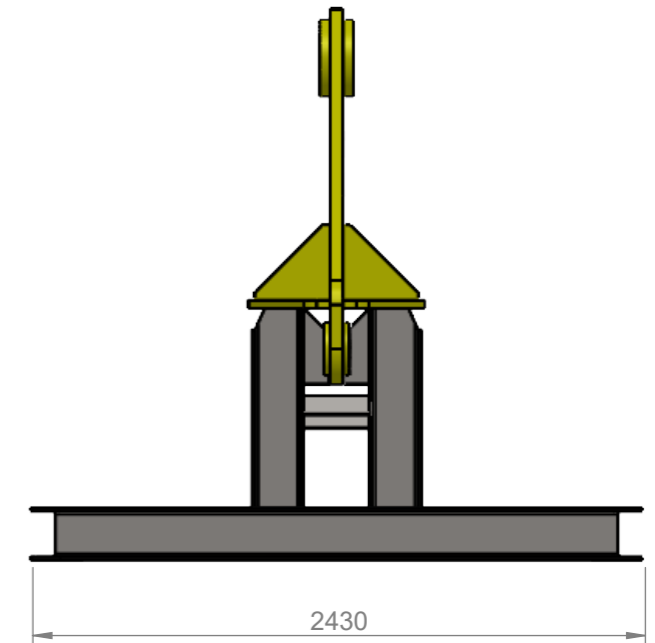
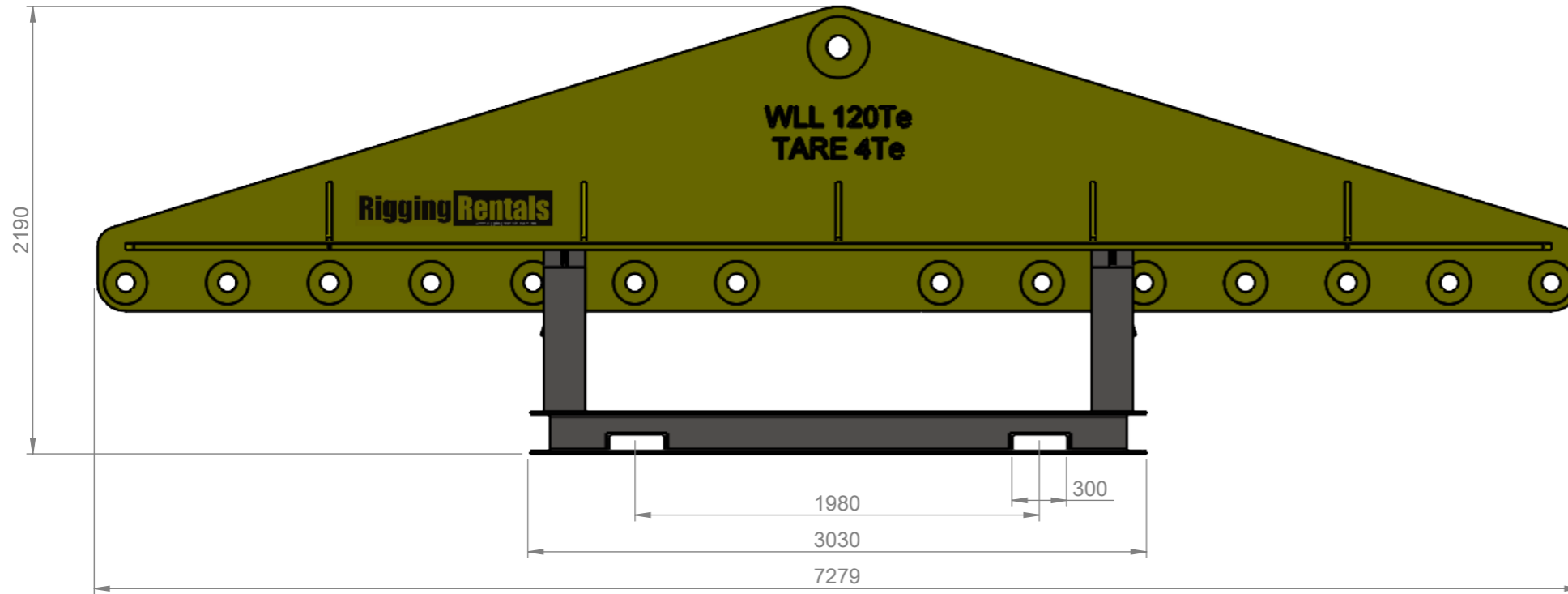
PROPRIETARY AND CONFIDENTIAL
 THE INFORMATION CONTAINED IN THIS DRAWING IS THE SOLE PROPERTY OF RIGGING RENTALS. ANY REPRODUCTION IN PART OR AS A WHOLE WITHOUT THE WRITTEN PERMISSION OF RIGGING RENTALS IS PROHIBITED.

DO NOT SCALE DRAWING

No	ISSUED	DESCRIPTION	SH	CHK	DATE
0	ISSUED		SH		21.11.22
DRAWING REVISIONS					

DRAWN	SH	DATE	21.11.22
CHECKED		DATE	
APPROVED		DATE	

TITLE 120Te WLL MULTI POINT LIFT BEAM			SHEET	REV.
CLIENT RIGGING RENTAL / MEGATEST			1 / 2	0
SIZE	SCALE	DWG No		
A3	1:30	LBDD0623		



269B TREASURE RD, WELSHPOOL
 EMAIL: perth@riggingrentals.com.au
 PH: 9358 4099

PROPRIETARY AND CONFIDENTIAL
 THE INFORMATION CONTAINED IN THIS
 DRAWING IS THE SOLE PROPERTY OF
 RIGGING RENTALS. ANY REPRODUCTION
 IN PART OR AS A WHOLE
 WITHOUT THE WRITTEN PERMISSION OF
 RIGGING RENTALS IS PROHIBITED.

**DO NOT
 SCALE
 DRAWING**

No	ISSUED	DESCRIPTION	SH	CHK	DATE
0					21.11.22
DRAWING REVISIONS					

DRAWN	SH	DATE	21.11.22
CHECKED		DATE	
APPROVED		DATE	

TITLE 120Te WLL MULTI POINT LIFT BEAM		
CLIENT RIGGING RENTAL / MEGATEST		
SIZE	SCALE	DWG No
A3	1:30	LBDD0623
SHEET	2 / 2	REV.
		0