

## THREE PERSON RESCUE CAGE

### Key Details

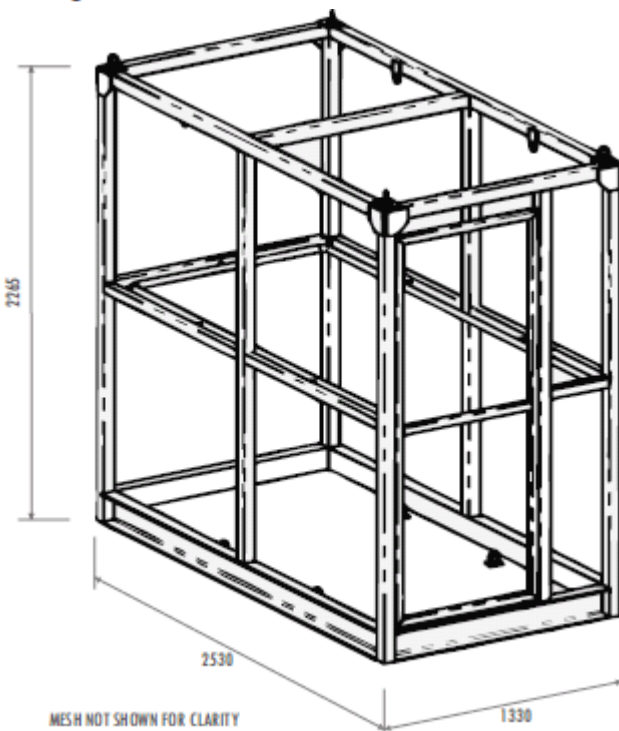
Capacity:	3 Person (incl. 1 stretcher) / 450kg
Tare Weight:	550kg (excluding shackles or associated rigging gear)
Min. Crane Capacity:	2000kg
Overall Dimensions:	2530 mm long x 1330mm wide x 2265mm high
Finish:	Painted Safety Yellow

### Product Assurance

Parent Standard:	AS1418.17 - 1996
Proof Load Testing:	Yes
MPI Weld Inspection:	Yes
Design Registration:	Yes (Workcover WA)
Guarantee:	1 Year Manufacturers Guarantee

Purpose designed to accommodate a standard rescue stretcher and two attendants, this is a fully enclosed device for use in emergency situations or as a means of transiting personnel to work areas where scaffolding or boom lifts cannot be used.

The unit carries forged Harris Walton fixtures for attachment of a safety harness and fully internal hand-railing.



## LIFTING & RIGGING EQUIPMENT FOR ALL LIFTING APPLICATIONS

- ✓ Hoisting Equipment
- ✓ Spreader Beams
- ✓ Winching Equipment
- ✓ Jacking Systems
- ✓ Lifting Equipment
- ✓ Weighing & Testing
- ✓ Lifting Slings
- ✓ Height Safety Gear

CALL US (08) 9494 1861 VISIT RIGGINGRENTALS.COM.AU