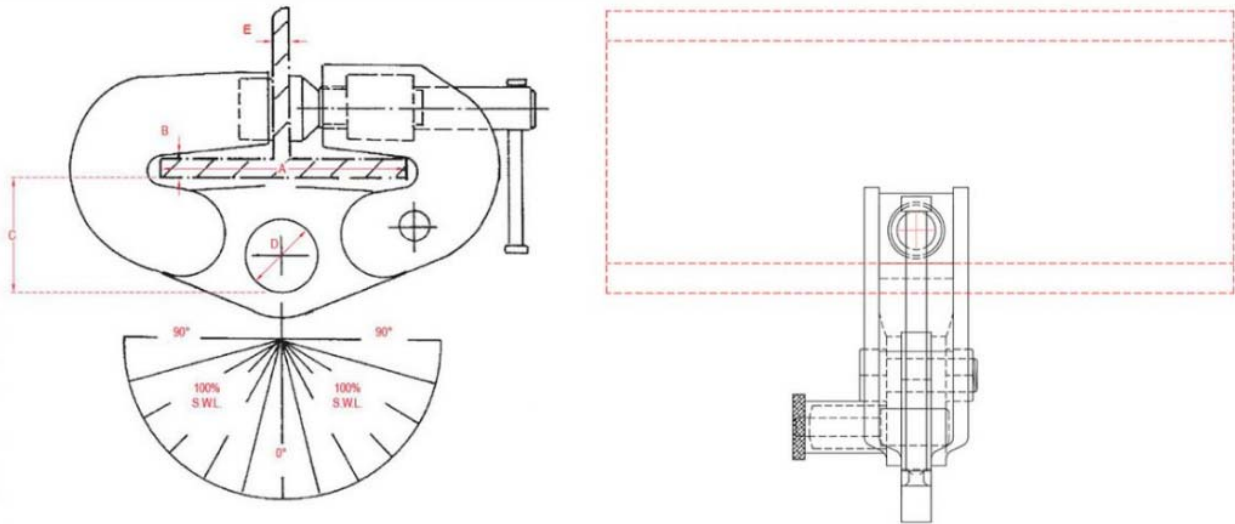


RILEY SUPER CLAMPS



MODEL	WLL at 0° Vertical		A Adjustment		B To Accommodate Beam Flange Thickness (max)		C Headroom		D Max. Hook Size		E Max. Webb Thickness		Average Weight	
	Lbs	Kg	inch min-max	mm min-max	inch	mm	inch	mm	inch	mm	inch	mm	Lbs	Kg
USC3A	6720	3048	5" - 8"	125 - 204	1"	25.4	4"	100	2 3/4"	70	1 1/4"	32	30	13.5
USC4	8960	4064	5" - 12"	125 - 305	1"	25.4	4"	100	2 3/4"	70	1 1/4"	32	51	23.5
USC5	11200	5080	5" - 12"	125 - 305	1"	25.4	4 3/4"	120	2 3/4"	70	1 1/4"	32	61.7	28
USC5D	22400	10160	5" - 12"	125 - 305	1"	25.4	4 3/4"	120	2 3/4"	70	1 1/4"	32	83.8	38
USC5D 400	22400	10160	8 7/8" - 15 3/4"	225 - 400	1"	25.4	4 3/4"	120	2 3/4"	70	1 1/4"	32	99.2	45

LIFTING & RIGGING EQUIPMENT FOR ALL LIFTING APPLICATIONS

- ✓ Hoisting Equipment
- ✓ Spreader Beams
- ✓ Winching Equipment
- ✓ Jacking Systems
- ✓ Lifting Equipment
- ✓ Weighing & Testing
- ✓ Lifting Slings
- ✓ Height Safety Gear

CALL US (08)9358 4099 VISIT RIGGINGRENTALS.COM.AU