

## 800 tonne compression load cell system

### 4 x 200 tonne load cells

Rigging Rentals have this compression load cell system suited to a wide application of tasks across many heavy industries.

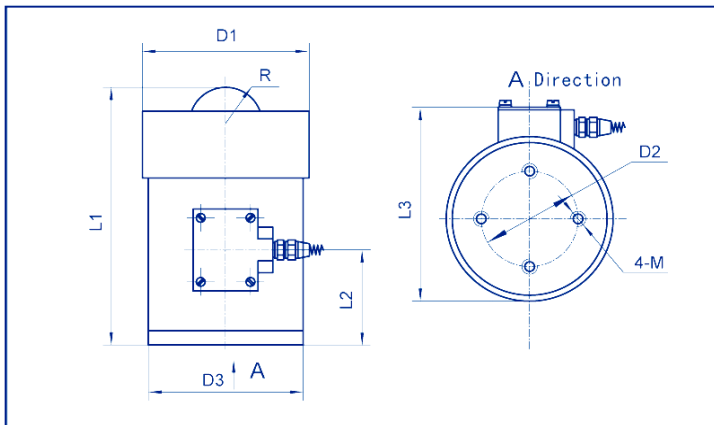
This system is maintained with current NATA certificates of test on the load cells and we supply easy to read operating instructions. The system can operate with any configuration of load cells between one and four with each load cell reading individual measurements on the display box.

The system features a built in battery pack with battery life displayed on the control box, alternatively the system can operate with continual 240 volt power.

Some previous applications include;

- ◆ New offshore helicopter platform weighing and point loads for centre of gravity calculations
- ◆ Weighing large fabricated ship blocks in the 250 - 350 tonne range
- ◆ Used in test jig with continual applied force on flood levy bank wall Launceston Tasmania to simulate a one in one hundred year flood condition.
- ◆ Weighing of large oil refinery superstructure prior to major crane lift.

In addition to this high capacity system Rigging Rentals also hold two complete 4 x 50 tonne compression cell systems and a large range of tension load cells from 5 to 250 tonne.



WLL	L1	L2	L3	R	D1	D2	D3	M
200T	270mm	118mm	173mm	70mm	160mm	115mm	152mm	M16 deep 20

www.riggingrentals.com.au 1300 744 736

PERTH - KARRATHA - ADELAIDE - MELBOURNE - GEELONG - BRISBANE